



### XS Gehrungsverbinder zweiseitig

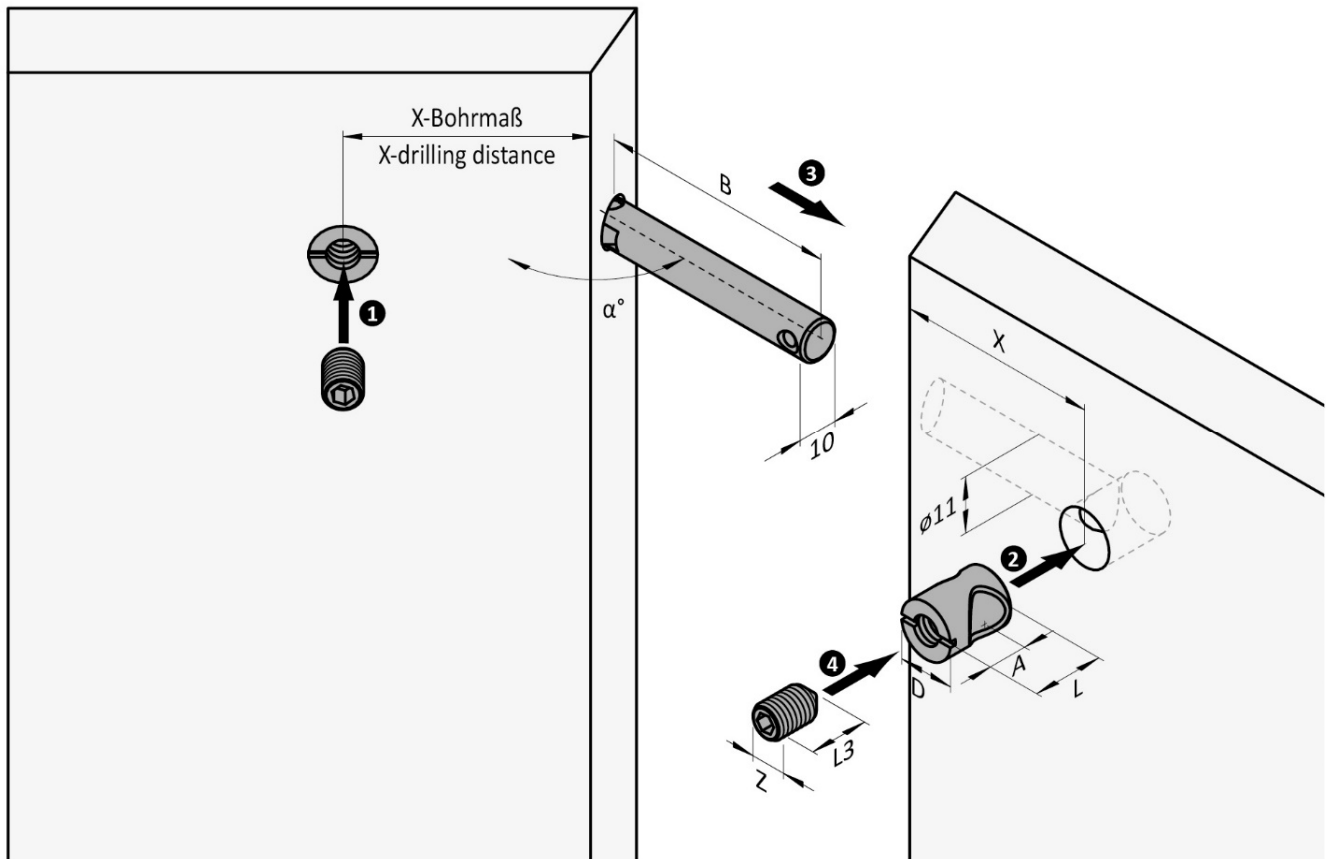
Bestehend aus:

- XS Gehäuse  $\varnothing 15$  mm
- XS Gewindestift M10, ISK (Innensechskant)
- XS Gelenkdübel  $\varnothing 10$  mm

### XS Mitre Connector two sided

Consisting of:

- XS Housing  $\varnothing 15$  mm
- XS Grub Screw M10, ISK (hexagon)
- XS Mitre Dowel  $\varnothing 10$  mm



Gehäuse / Housing $\varnothing 15$ mm					
Artikel-Nr. order-no.	Material M	L	A	D	VE PU
D01035	20	17	10,0	15	100
D01002	22	19	12,0	15	100
D01003	24-28	21	14,0	15	100
D01004	30	28	13,0	15	100

Gew.-Stift / Grub Screw M10			
Artikel-Nr. order-no.	L3	Z	VE PU
D01036	10,0	SW5	100
D01005	12,0	SW5	100
D01005	12,0	SW5	100
D01005	12,0	SW5	100

Stahldübel / Steel Dowel $\varnothing 10$ mm				
Artikel-Nr. order-no.	$\varnothing$	L1	B/B	VE PU
D01009	10	152	68,5/68,5	25

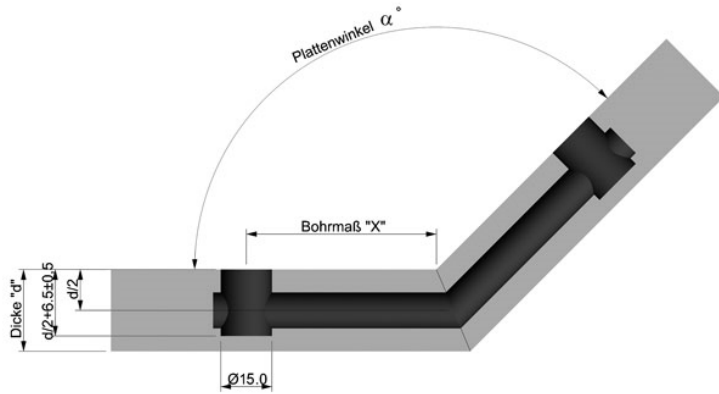
#### Hinweis / Please note

→: Gehäuse mit diesem Gewindestift kombinieren / →: Combine Housing with this Grub Screw  
**M:** Materialstärke; Alle Abmessungen in mm / **M:** Board thickness; All dimensions in mm  
 Bohrabstand **X** siehe Bohrtabelle / Drilling distance **X** in drilling chart



**XS Gehrungsverbinder zweiseitig**  
Bohrabstandstabelle

**XS Mitre Connector two sided**  
Drilling distances



Bohrmaß „X“ (theor.) in mm für  
XS Gelenkdübel ø10 mm  
Toleranz: -0,5/+1,0 mm

**Ein Probeanschlag wird empfohlen!**

Drilling distance “X” (theor.) in mm for  
XS Mitre Dowel ø10 mm  
Tolerance: -0,5/+1,0 mm

**A test with a sample is recommended!**

Winkel $\alpha$ Angle $\alpha$	Plattenstärke / board thickness (mm)				
	22,0	24,0	26,0	28,0	30,0
80°	56,0	54,5	53,5	52,5	51,0
85°	57,0	56,0	55,0	53,7	52,5
90°	58,0	57,0	56,0	55,0	54,0
95°	59,0	58,0	57,0	56,0	55,5
100°	60,0	59,0	58,0	57,3	56,5
105°	60,5	60,0	59,0	58,3	57,5
110°	61,3	60,5	60,0	59,2	58,5
115°	62,0	61,5	60,5	60,0	59,5
120°	62,5	62,0	61,5	61,0	60,5
125°	63,5	63,0	62,0	61,5	61,0
130°	64,0	63,5	63,0	62,5	62,0
135°	64,5	64,0	63,5	63,0	63,0
140°	65,0	64,5	64,3	64,0	63,5
145°	65,5	65,0	65,0	64,5	64,5
150°	66,0	66,0	65,5	65,0	65,0
155°	66,5	66,3	66,0	66,0	65,5
160°	67,0	67,0	66,5	66,5	66,5
165°	67,5	67,5	67,5	67,0	67,0
170°	68,0	68,0	68,0	68,0	67,5
175°	68,5	68,5	68,5	68,5	68,5
180°	69,0	69,0	69,0	69,0	69,0